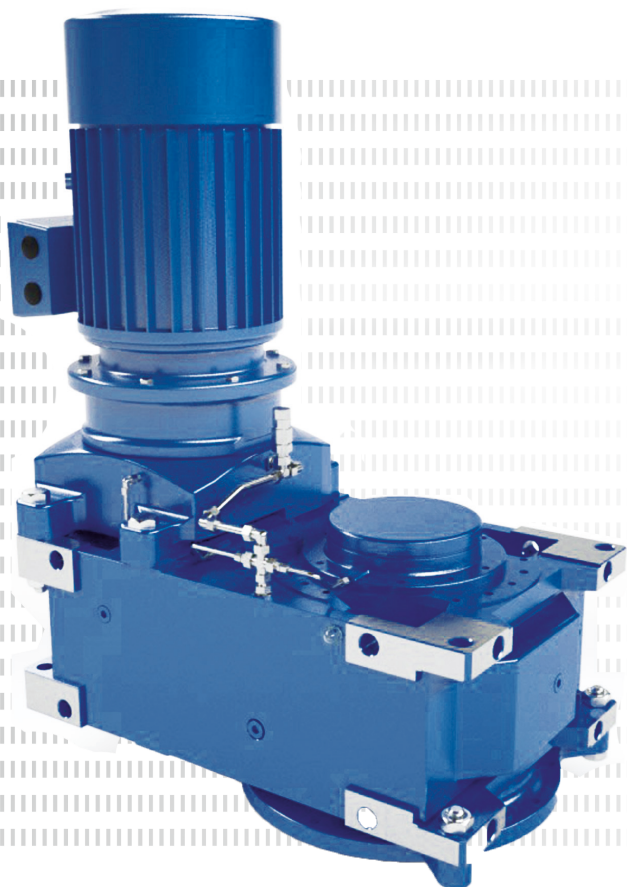


# MAXXDRIVE™ industrial gear units SAFOMI-IEC for mixers



- ▶ Excellent operating reliability
- ▶ Compact and simple design
- ▶ Reduced maintenance

## SEALLESS ADAPTER FOR MIXERS (SAFOMI)

The compact combination of MAXXDRIVE™ industrial gear units and the SAFOMI-IEC adapter is optimally suited for mixers. Wearing parts and attached components can be reduced, because the SAFOMI-IEC adapter provides an integrated oil expansion volume. This results in greater operational reliability and less maintenance.

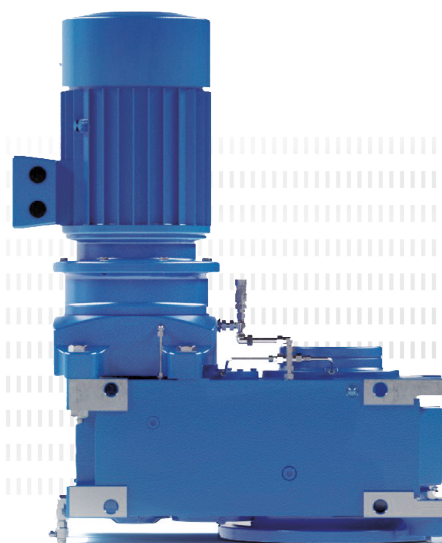
### Fewer wearing parts

- ▶ No shaft sealing ring required between the gear unit and the IEC adapter\*

### Fewer attached components

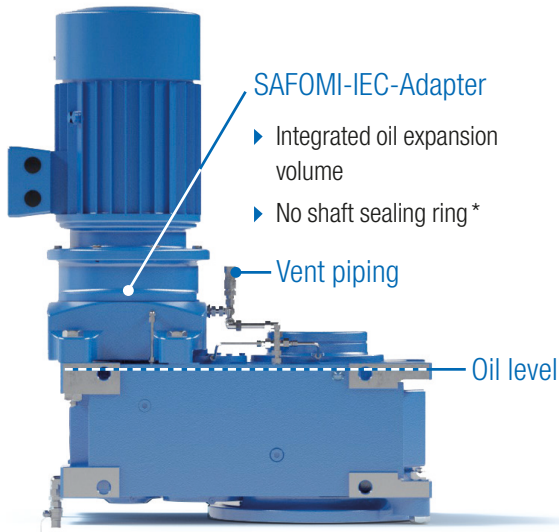
- ▶ Reduced oil level, no additional oil tank necessary
- ▶ Less installation space

\*In combination with the SAFOMI-IEC-Adapter using an oil-tight motor is mandatory.

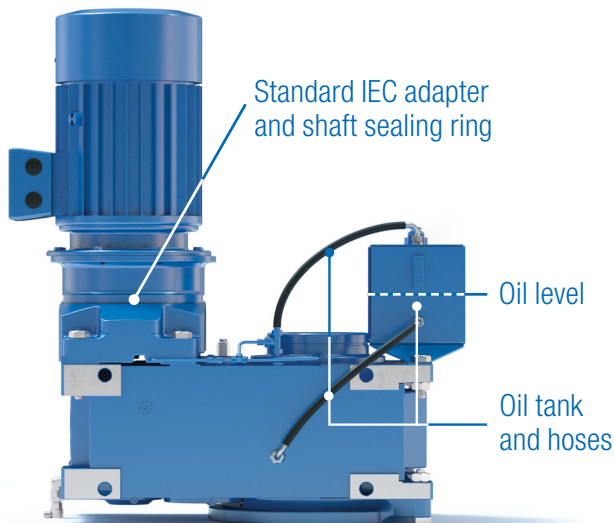


# MAXXDRIVE™ industrial gear units SAFOMI-IEC for mixers

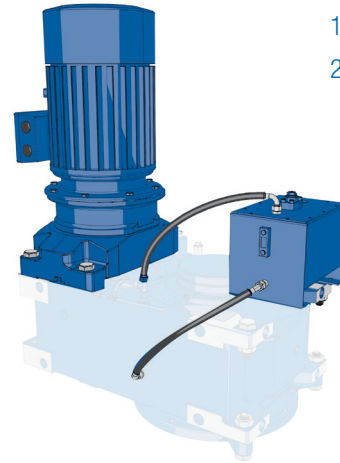
## Version comparison



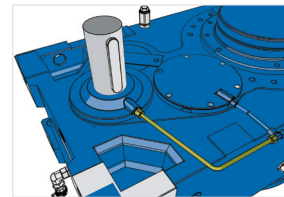
\*In combination with the SAFOMI-IEC-Adapter using an oil-tight motor is mandatory.



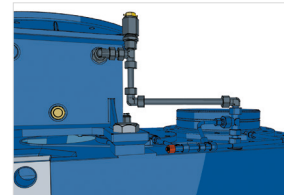
## Overview of conversion steps



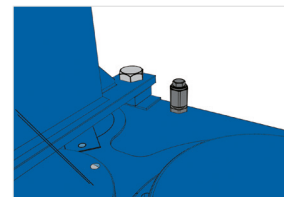
- 1 Drain off the oil
- 2 Remove the motor, IEC adapter, hoses and tank



- 3 Remove the piping and bearing cover



- 4 Install the SAFOMI-IEC adapter
- 5 Install the vent piping



- 6 Install the dipstick

## NORD DRIVESYSTEMS Group

- ▶ Family business from Bargteheide near Hamburg with 4,000 employees
- ▶ Drive solutions for more than 100 branches of industry
- ▶ 7 production locations worldwide
- ▶ Present in 98 countries on 5 continents
- ▶ More information: [www.nord.com](http://www.nord.com)

### Headquarters:

Getriebebau NORD GmbH & Co. KG  
Getriebebau-Nord-Str. 1  
22941 Bargteheide, Germany  
T +49 4532 2890  
F +49 4532 289 2253  
[info@nord.com](mailto:info@nord.com)